

ATG DAMPER

AIR VOLUME CONTROL

- Airtight Damper construction to DIN 1946 T4
- Smooth Post Blade damper movement
- Heavy Duty Cast Aluminium precision gears
- Sturdy Actuator drive spindle 12mm Ø
- Embedded quality seals in damper blades
- Special moulded seals on each blade end
- Brass bearings with 'O' ring seals on drive shaft
- Standard Frame sizes 20mm and 30mm
- Height in 100mm - width in 50mm increments
- Works with all CMR actuators and controllers
- CMR standard 24 month warranty
- 30 Years field application experience



ATG DAMPER with CMR Actuator

The ATG DAMPER has been designed to control air volume in ventilation ducts. The damper consists of a galvanized steel duct section with a length of 110mm and is available with a 20 or 30mm flange duct connection to suit standard galvanized steel duct work.

The galvanized steel damper blades are fitted across the internal frame area in 100mm spacing. Each end of the blade is firmly secured in brass bearings which have 'O' ring seals to the outside. A dust protection cap is fitted on the outside over the bearing and shaft.

Heavy duty cast aluminium gears are fitted on the drive side of the damper and are located inside the frame. The drive shaft is standard 12mm Ø and an actuator bracket is fitted to suit the CMR actuators. The blades have embedded lip seals and side seals so that the DIN 1946 T4 airtight specification can be achieved.

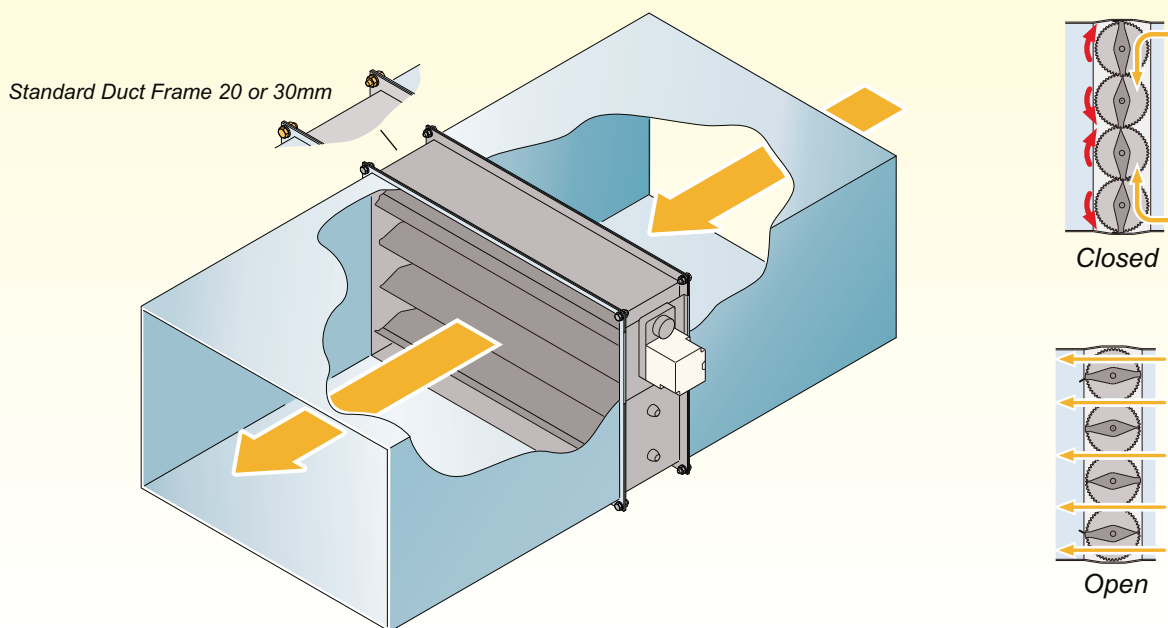
The ATG DAMPER is a complete welded construction and are manufactured in standard height increments of 100mm going up to a maximum height of 1200mm. The width of the DAMPER is manufactured in increments of 50mm up to 1200mm.

The ATG Damper has an end stop when it is closed and the seal shall be firmly pressed against the frame. At this point, the actuator needs just a little more torque to seal it. The actuator is factory commissioned to close and open over 90° but angle limit adjustments can be achieved via the actuator.

The dampers can also be manufactured in Stainless Steel, Atex Execution, Galvanized sheet metal with epoxy coating

Larger Dampers can be manufactured to specification.

ATG DAMPER and Actuator providing accurate and repeatable air volume control



ATG DAMPER

SPECIFICATIONS

Selection of Volume Control Damper

It is essential to determine the air volume during the design stage. Normally there is a minimum and a maximum volume which has to be controlled.

The duct area should be calculated so that the velocity is approximately 2.5m/s at the minimum volume and preferably 5m/s at the operating point if possible. If the velocity is more than 5m/s at the maximum volume then the noise level criteria needs to be considered.

The maximum velocity should not exceed 9m/s as the duct resistance shall increase and the overall energy consumption shall go up. Use selection Tables 1 to 4 for 20mm Frames page 3 to 6 and 5 to 8 for 30mm frames on page 7 to 10.

The ATG Damper has 100mm blades complete with seals and have a long diamond shape with an embedded drive arrangement. The reduced internal area of the damper frame shall increase the velocity pressure momentarily but will have a regain of pressure after passing over the blades, which means that the overall pressure drop can be kept at a minimum.

The heavy duty cast aluminium drive gears are located internally, having seals to the side. The advantage is that the wheels are not on the outside which could cause a hazard for the installation or maintenance engineers in future during automatic operation.

Installation

The ATG Damper works in any position, but it is best if the blades and actuator are positioned horizontally. This way, the weight is reduced on the side seals and provides a long term efficient operation. It is also easier for the maintenance engineers to replace an actuator. When the damper is installed, care must be taken to leave sufficient space for the engineers to inspect and replace the motor - a 500mm space would be perfect.

Hysteresis

The ATG Dampers have a very low hysteresis due to the aluminium precision cast gears and therefore the damper can be moved very accurately to a control position.

Maintenance

The ATG Damper is maintenance free.

Materials

Frame	- Galvanised Sheet Metal
Blades	- Galvanised Sheet Metal
Drive Wheels	- Cast Aluminium
Drive Shaft	- Zinc Plated Steel
Bearing	- Brass with 'O' ring seal
Seals	- EPDM on request
Actuator Bracket	- Sheet Metal

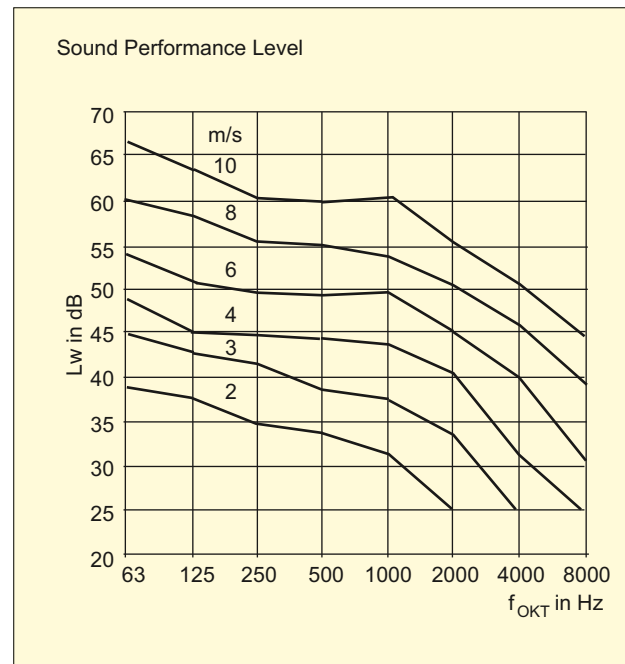
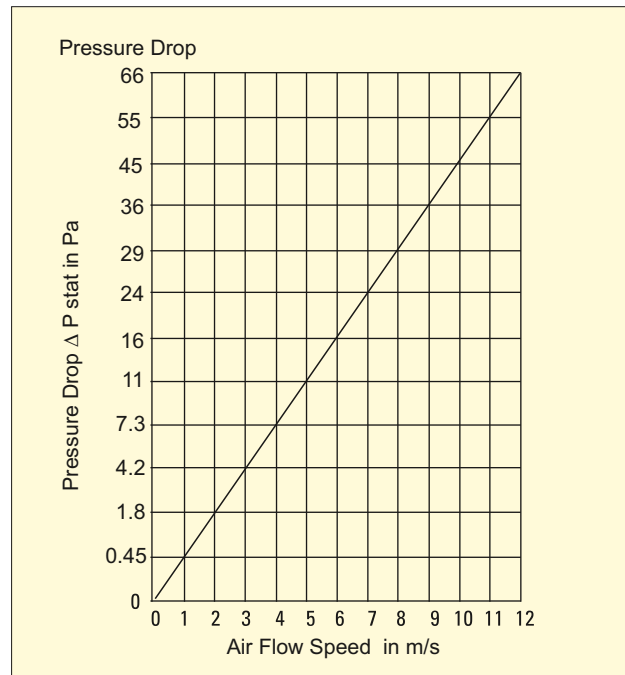
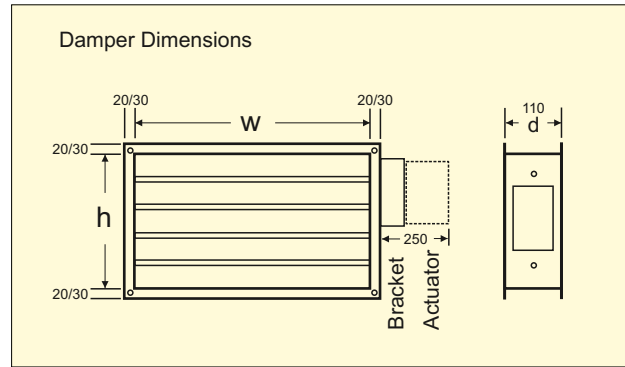
Internal height 'h' from 100mm up to 1200mm in 100mm steps
 Internal width 'w' from 100mm up to 1200mm in 50mm steps
 Damper Length 110mm
 Standard Duct Frame 20mm or 30mm
 Actuator Mounting Bracket and actuator optional

Specifications

Recommended minimum air velocity is	2.5 m/s
Recommended operating air velocity is	5 m/s
Maximum recommended air velocity is	9 m/s

Humidity 10% to 90% non condensing.
 Operating Temperature (dry condition) -5 to 60°C

Free Open Area 75%



ATG DIMENSIONS

L=110

F=20

Table 1

Part Number	Description	Height	width	depth	Area	Weight	Volume	Volume	Volume	Volume	Volume	Volume
		h	w	d			at 2 m/s	at 5 m/s	at 9 m/s	at 2 m/s	at 5 m/s	at 9 m/s
		mm	mm	mm	m ²	kg	m ³ /s	m ³ /s	m ³ /s	m ³ /h	m ³ /h	m ³ /h
ATG-0100-0200-110-C20	Damper Air Tight h x w L=110 F=C20	100	200	110	0.020	2.10	0.040	0.120	0.180	288	360	648
ATG-0100-0250-110-C20	Damper Air Tight h x w L=110 F=C20	100	250	110	0.025	2.25	0.050	0.150	0.225	360	450	810
ATG-0100-0300-110-C20	Damper Air Tight h x w L=110 F=C20	100	300	110	0.030	2.40	0.060	0.180	0.270	432	540	972
ATG-0100-0350-110-C20	Damper Air Tight h x w L=110 F=C20	100	350	110	0.035	2.55	0.070	0.210	0.315	504	630	1134
ATG-0100-0400-110-C20	Damper Air Tight h x w L=110 F=C20	100	400	110	0.040	2.70	0.080	0.240	0.360	576	720	1296
ATG-0100-0450-110-C20	Damper Air Tight h x w L=110 F=C20	100	450	110	0.045	2.85	0.090	0.270	0.405	648	810	1458
ATG-0100-0500-110-C20	Damper Air Tight h x w L=110 F=C20	100	500	110	0.050	3.00	0.100	0.300	0.450	720	900	1620
ATG-0100-0550-110-C20	Damper Air Tight h x w L=110 F=C20	100	550	110	0.055	3.15	0.110	0.330	0.495	792	990	1782
ATG-0100-0600-110-C20	Damper Air Tight h x w L=110 F=C20	100	600	110	0.060	3.30	0.120	0.360	0.540	864	1080	1944
ATG-0200-0200-110-C20	Damper Air Tight h x w L=110 F=C20	200	200	110	0.040	2.70	0.080	0.240	0.360	576	720	1296
ATG-0200-0250-110-C20	Damper Air Tight h x w L=110 F=C20	200	250	110	0.050	3.00	0.100	0.300	0.450	720	900	1620
ATG-0200-0300-110-C20	Damper Air Tight h x w L=110 F=C20	200	300	110	0.060	3.30	0.120	0.360	0.540	864	1080	1944
ATG-0200-0350-110-C20	Damper Air Tight h x w L=110 F=C20	200	350	110	0.070	3.60	0.140	0.420	0.630	1008	1260	2268
ATG-0200-0400-110-C20	Damper Air Tight h x w L=110 F=C20	200	400	110	0.080	3.90	0.160	0.480	0.720	1152	1440	2592
ATG-0200-0450-110-C20	Damper Air Tight h x w L=110 F=C20	200	450	110	0.090	4.20	0.180	0.540	0.810	1296	1620	2916
ATG-0200-0500-110-C20	Damper Air Tight h x w L=110 F=C20	200	500	110	0.100	4.50	0.200	0.600	0.900	1440	1800	3240
ATG-0200-0550-110-C20	Damper Air Tight h x w L=110 F=C20	200	550	110	0.110	4.80	0.220	0.660	0.990	1584	1980	3564
ATG-0200-0600-110-C20	Damper Air Tight h x w L=110 F=C20	200	600	110	0.120	5.10	0.240	0.720	1.080	1728	2160	3888
ATG-0200-0650-110-C20	Damper Air Tight h x w L=110 F=C20	200	650	110	0.130	5.40	0.260	0.780	1.170	1872	2340	4212
ATG-0200-0700-110-C20	Damper Air Tight h x w L=110 F=C20	200	700	110	0.140	5.70	0.280	0.840	1.260	2016	2520	4536
ATG-0200-0750-110-C20	Damper Air Tight h x w L=110 F=C20	200	750	110	0.150	6.00	0.300	0.900	1.350	2160	2700	4860
ATG-0200-0800-110-C20	Damper Air Tight h x w L=110 F=C20	200	800	110	0.160	6.30	0.320	0.960	1.440	2304	2880	5184
ATG-0200-0850-110-C20	Damper Air Tight h x w L=110 F=C20	200	850	110	0.170	6.60	0.340	1.020	1.530	2448	3060	5508
ATG-0200-0900-110-C20	Damper Air Tight h x w L=110 F=C20	200	900	110	0.180	6.90	0.360	1.080	1.620	2592	3240	5832
ATG-0200-0950-110-C20	Damper Air Tight h x w L=110 F=C20	200	950	110	0.190	7.20	0.380	1.140	1.710	2736	3420	6156
ATG-0200-1000-110-C20	Damper Air Tight h x w L=110 F=C20	200	1000	110	0.200	7.50	0.400	1.200	1.800	2880	3600	6480
ATG-0200-1050-110-C20	Damper Air Tight h x w L=110 F=C20	200	1050	110	0.210	7.80	0.420	1.260	1.890	3024	3780	6804
ATG-0200-1100-110-C20	Damper Air Tight h x w L=110 F=C20	200	1100	110	0.220	8.10	0.440	1.320	1.980	3168	3960	7128
ATG-0200-1150-110-C20	Damper Air Tight h x w L=110 F=C20	200	1150	110	0.230	8.40	0.460	1.380	2.070	3312	4140	7452
ATG-0200-1200-110-C20	Damper Air Tight h x w L=110 F=C20	200	1200	110	0.240	8.70	0.480	1.440	2.160	3456	4320	7776
ATG-0300-0200-110-C20	Damper Air Tight h x w L=110 F=C20	300	200	110	0.060	3.30	0.120	0.360	0.540	864	1080	1944
ATG-0300-0250-110-C20	Damper Air Tight h x w L=110 F=C20	300	250	110	0.075	3.75	0.150	0.450	0.675	1080	1350	2430
ATG-0300-0300-110-C20	Damper Air Tight h x w L=110 F=C20	300	300	110	0.090	4.20	0.180	0.540	0.810	1296	1620	2916
ATG-0300-0350-110-C20	Damper Air Tight h x w L=110 F=C20	300	350	110	0.105	4.65	0.210	0.630	0.945	1512	1890	3402
ATG-0300-0400-110-C20	Damper Air Tight h x w L=110 F=C20	300	400	110	0.120	5.10	0.240	0.720	1.080	1728	2160	3888
ATG-0300-0450-110-C20	Damper Air Tight h x w L=110 F=C20	300	450	110	0.135	5.55	0.270	0.810	1.215	1944	2430	4374
ATG-0300-0500-110-C20	Damper Air Tight h x w L=110 F=C20	300	500	110	0.150	6.00	0.300	0.900	1.350	2160	2700	4860
ATG-0300-0550-110-C20	Damper Air Tight h x w L=110 F=C20	300	550	110	0.165	6.45	0.330	0.990	1.485	2376	2970	5346
ATG-0300-0600-110-C20	Damper Air Tight h x w L=110 F=C20	300	600	110	0.180	6.90	0.360	1.080	1.620	2592	3240	5832
ATG-0300-0650-110-C20	Damper Air Tight h x w L=110 F=C20	300	650	110	0.195	7.35	0.390	1.170	1.755	2808	3510	6318
ATG-0300-0700-110-C20	Damper Air Tight h x w L=110 F=C20	300	700	110	0.210	7.80	0.420	1.260	1.890	3024	3780	6804
ATG-0300-0750-110-C20	Damper Air Tight h x w L=110 F=C20	300	750	110	0.225	8.25	0.450	1.350	2.025	3240	4050	7290
ATG-0300-0800-110-C20	Damper Air Tight h x w L=110 F=C20	300	800	110	0.240	8.70	0.480	1.440	2.160	3456	4320	7776
ATG-0300-0850-110-C20	Damper Air Tight h x w L=110 F=C20	300	850	110	0.255	9.15	0.510	1.530	2.295	3672	4590	8262
ATG-0300-0900-110-C20	Damper Air Tight h x w L=110 F=C20	300	900	110	0.270	9.60	0.540	1.620	2.430	3888	4860	8748
ATG-0300-0950-110-C20	Damper Air Tight h x w L=110 F=C20	300	950	110	0.285	10.05	0.570	1.710	2.565	4104	5130	9234
ATG-0300-1000-110-C20	Damper Air Tight h x w L=110 F=C20	300	1000	110	0.300	10.50	0.600	1.800	2.700	4320	5400	9720
ATG-0300-1050-110-C20	Damper Air Tight h x w L=110 F=C20	300	1050	110	0.315	10.95	0.630	1.890	2.835	4536	5670	10206
ATG-0300-1100-110-C20	Damper Air Tight h x w L=110 F=C20	300	1100	110	0.330	11.40	0.660	1.980	2.970	4752	5940	10692
ATG-0300-1150-110-C20	Damper Air Tight h x w L=110 F=C20	300	1150	110	0.345	11.85	0.690	2.070	3.105	4968	6210	11178
ATG-0300-1200-110-C20	Damper Air Tight h x w L=110 F=C20	300	1200	110	0.360	12.30	0.720	2.160	3.240	5184	6480	11664



ATG DIMENSIONS

L=110 F=20 Table 2

Part Number	Description	Height h mm	width w mm	depth d mm	Area m ²	Weight kg	Volume at 2 m/s m ³ /s	Volume at 5 m/s m ³ /s	Volume at 9 m/s m ³ /s	Volume at 2 m/s m ³ /h	Volume at 5 m/s m ³ /h	Volume at 9 m/s m ³ /h
ATG-0400-0200-110-C20	Damper Air Tight h x w L=110 F=C20	400	200	110	0.080	3.90	0.160	0.480	0.720	1152	1440	2592
ATG-0400-0250-110-C20	Damper Air Tight h x w L=110 F=C20	400	250	110	0.100	4.50	0.200	0.600	0.900	1440	1800	3240
ATG-0400-0300-110-C20	Damper Air Tight h x w L=110 F=C20	400	300	110	0.120	5.10	0.240	0.720	1.080	1728	2160	3888
ATG-0400-0350-110-C20	Damper Air Tight h x w L=110 F=C20	400	350	110	0.140	5.70	0.280	0.840	1.260	2016	2520	4536
ATG-0400-0400-110-C20	Damper Air Tight h x w L=110 F=C20	400	400	110	0.160	6.30	0.320	0.960	1.440	2304	2880	5184
ATG-0400-0450-110-C20	Damper Air Tight h x w L=110 F=C20	400	450	110	0.180	6.90	0.360	1.080	1.620	2592	3240	5832
ATG-0400-0500-110-C20	Damper Air Tight h x w L=110 F=C20	400	500	110	0.200	7.50	0.400	1.200	1.800	2880	3600	6480
ATG-0400-0550-110-C20	Damper Air Tight h x w L=110 F=C20	400	550	110	0.220	8.10	0.440	1.320	1.980	3168	3960	7128
ATG-0400-0600-110-C20	Damper Air Tight h x w L=110 F=C20	400	600	110	0.240	8.70	0.480	1.440	2.160	3456	4320	7776
ATG-0400-0650-110-C20	Damper Air Tight h x w L=110 F=C20	400	650	110	0.260	9.30	0.520	1.560	2.340	3744	4680	8424
ATG-0400-0700-110-C20	Damper Air Tight h x w L=110 F=C20	400	700	110	0.280	9.90	0.560	1.680	2.520	4032	5040	9072
ATG-0400-0750-110-C20	Damper Air Tight h x w L=110 F=C20	400	750	110	0.300	10.50	0.600	1.800	2.700	4320	5400	9720
ATG-0400-0800-110-C20	Damper Air Tight h x w L=110 F=C20	400	800	110	0.320	11.10	0.640	1.920	2.880	4608	5760	10368
ATG-0400-0850-110-C20	Damper Air Tight h x w L=110 F=C20	400	850	110	0.340	11.70	0.680	2.040	3.060	4896	6120	11016
ATG-0400-0900-110-C20	Damper Air Tight h x w L=110 F=C20	400	900	110	0.360	12.30	0.720	2.160	3.240	5184	6480	11664
ATG-0400-0950-110-C20	Damper Air Tight h x w L=110 F=C20	400	950	110	0.380	12.90	0.760	2.280	3.420	5472	6840	12312
ATG-0400-1000-110-C20	Damper Air Tight h x w L=110 F=C20	400	1000	110	0.400	13.50	0.800	2.400	3.600	5760	7200	12960
ATG-0400-1050-110-C20	Damper Air Tight h x w L=110 F=C20	400	1050	110	0.420	14.10	0.840	2.520	3.780	6048	7560	13608
ATG-0400-1100-110-C20	Damper Air Tight h x w L=110 F=C20	400	1100	110	0.440	14.70	0.880	2.640	3.960	6336	7920	14256
ATG-0400-1150-110-C20	Damper Air Tight h x w L=110 F=C20	400	1150	110	0.460	15.30	0.920	2.760	4.140	6624	8280	14904
ATG-0400-1200-110-C20	Damper Air Tight h x w L=110 F=C20	400	1200	110	0.480	15.90	0.960	2.880	4.320	6912	8640	15552
ATG-0500-0200-110-C20	Damper Air Tight h x w L=110 F=C20	500	200	110	0.100	4.50	0.200	0.600	0.900	1440	1800	3240
ATG-0500-0250-110-C20	Damper Air Tight h x w L=110 F=C20	500	250	110	0.125	5.25	0.250	0.750	1.125	1800	2250	4050
ATG-0500-0300-110-C20	Damper Air Tight h x w L=110 F=C20	500	300	110	0.150	6.00	0.300	0.900	1.350	2160	2700	4860
ATG-0500-0350-110-C20	Damper Air Tight h x w L=110 F=C20	500	350	110	0.175	6.75	0.350	1.050	1.575	2520	3150	5670
ATG-0500-0400-110-C20	Damper Air Tight h x w L=110 F=C20	500	400	110	0.200	7.50	0.400	1.200	1.800	2880	3600	6480
ATG-0500-0450-110-C20	Damper Air Tight h x w L=110 F=C20	500	450	110	0.225	8.25	0.450	1.350	2.025	3240	4050	7290
ATG-0500-0500-110-C20	Damper Air Tight h x w L=110 F=C20	500	500	110	0.250	9.00	0.500	1.500	2.250	3600	4500	8100
ATG-0500-0550-110-C20	Damper Air Tight h x w L=110 F=C20	500	550	110	0.275	9.75	0.550	1.650	2.475	3960	4950	8910
ATG-0500-0600-110-C20	Damper Air Tight h x w L=110 F=C20	500	600	110	0.300	10.50	0.600	1.800	2.700	4320	5400	9720
ATG-0500-0650-110-C20	Damper Air Tight h x w L=110 F=C20	500	650	110	0.325	11.25	0.650	1.950	2.925	4680	5850	10530
ATG-0500-0700-110-C20	Damper Air Tight h x w L=110 F=C20	500	700	110	0.350	12.00	0.700	2.100	3.150	5040	6300	11340
ATG-0500-0750-110-C20	Damper Air Tight h x w L=110 F=C20	500	750	110	0.375	12.75	0.750	2.250	3.375	5400	6750	12150
ATG-0500-0800-110-C20	Damper Air Tight h x w L=110 F=C20	500	800	110	0.400	13.50	0.800	2.400	3.600	5760	7200	12960
ATG-0500-0850-110-C20	Damper Air Tight h x w L=110 F=C20	500	850	110	0.425	14.25	0.850	2.550	3.825	6120	7650	13770
ATG-0500-0900-110-C20	Damper Air Tight h x w L=110 F=C20	500	900	110	0.450	15.00	0.900	2.700	4.050	6480	8100	14580
ATG-0500-0950-110-C20	Damper Air Tight h x w L=110 F=C20	500	950	110	0.475	15.75	0.950	2.850	4.275	6840	8550	15390
ATG-0500-1000-110-C20	Damper Air Tight h x w L=110 F=C20	500	1000	110	0.500	16.50	1.000	3.000	4.500	7200	9000	16200
ATG-0500-1050-110-C20	Damper Air Tight h x w L=110 F=C20	500	1050	110	0.525	17.25	1.050	3.150	4.725	7560	9450	17010
ATG-0500-1100-110-C20	Damper Air Tight h x w L=110 F=C20	500	1100	110	0.550	18.00	1.100	3.300	4.950	7920	9900	17820
ATG-0500-1150-110-C20	Damper Air Tight h x w L=110 F=C20	500	1150	110	0.575	18.75	1.150	3.450	5.175	8280	10350	18630
ATG-0500-1200-110-C20	Damper Air Tight h x w L=110 F=C20	500	1200	110	0.600	19.50	1.200	3.600	5.400	8640	10800	19440
ATG-0600-0200-110-C20	Damper Air Tight h x w L=110 F=C20	600	200	110	0.120	5.10	0.240	0.720	1.080	1728	2160	3888
ATG-0600-0250-110-C20	Damper Air Tight h x w L=110 F=C20	600	250	110	0.150	6.00	0.300	0.900	1.350	2160	2700	4860
ATG-0600-0300-110-C20	Damper Air Tight h x w L=110 F=C20	600	300	110	0.180	6.90	0.360	1.080	1.620	2592	3240	5832
ATG-0600-0350-110-C20	Damper Air Tight h x w L=110 F=C20	600	350	110	0.210	7.80	0.420	1.260	1.890	3024	3780	6804
ATG-0600-0400-110-C20	Damper Air Tight h x w L=110 F=C20	600	400	110	0.240	8.70	0.480	1.440	2.160	3456	4320	7776
ATG-0600-0450-110-C20	Damper Air Tight h x w L=110 F=C20	600	450	110	0.270	9.60	0.540	1.620	2.430	3888	4860	8748
ATG-0600-0500-110-C20	Damper Air Tight h x w L=110 F=C20	600	500	110	0.300	10.50	0.600	1.800	2.700	4320	5400	9720
ATG-0600-0550-110-C20	Damper Air Tight h x w L=110 F=C20	600	550	110	0.330	11.40	0.660	1.980	2.970	4752	5940	10692
ATG-0600-0600-110-C20	Damper Air Tight h x w L=110 F=C20	600	600	110	0.360	12.30	0.720	2.160	3.240	5184	6480	11664
ATG-0600-0650-110-C20	Damper Air Tight h x w L=110 F=C20	600	650	110	0.390	13.20	0.780	2.340	3.510	5616	7020	12636
ATG-0600-0700-110-C20	Damper Air Tight h x w L=110 F=C20	600	700	110	0.420	14.10	0.840	2.520	3.780	6048	7560	13608
ATG-0600-0750-110-C20	Damper Air Tight h x w L=110 F=C20	600	750	110	0.450	15.00	0.900	2.700	4.050	6480	8100	14580
ATG-0600-0800-110-C20	Damper Air Tight h x w L=110 F=C20	600	800	110	0.480	15.90	0.960	2.880	4.320	6912	8640	15552
ATG-0600-0850-110-C20	Damper Air Tight h x w L=110 F=C20	600	850	110	0.510	16.80	1.020	3.060	4.590	7344	9180	16524
ATG-0600-0900-110-C20	Damper Air Tight h x w L=110 F=C20	600	900	110	0.540	17.70	1.080	3.240	4.860	7776	9720	17496
ATG-0600-0950-110-C20	Damper Air Tight h x w L=110 F=C20	600	950	110	0.570	18.60	1.140	3.420	5.130	8208	10260	18468
ATG-0600-1000-110-C20	Damper Air Tight h x w L=110 F=C20	600	1000	110	0.600	19.50	1.200	3.600	5.400	8640	10800	19440
ATG-0600-1050-110-C20	Damper Air Tight h x w L=110 F=C20	600	1050	110	0.630	20.40	1.260	3.780	5.670	9072	11340	20412
ATG-0600-1100-110-C20	Damper Air Tight h x w L=110 F=C20	600	1100	110	0.660	21.30	1.320	3.960	5.940	9504	11880	21384
ATG-0600-1150-110-C20	Damper Air Tight h x w L=110 F=C20	600	1150	110	0.690	22.20	1.380	4.140	6.210	9936	12420	22356
ATG-0600-1200-110-C20	Damper Air Tight h x w L=110 F=C20	600	1200	110	0.720	23.10	1.440	4.320	6.480	10368	12960	23328

ATG DIMENSIONS L=110 F=20 Table 3

Part Number	Description	Height	width	depth	Area	Weight	Volume at 2 m/s	Volume at 5 m/s	Volume at 9 m/s	Volume at 2 m/s	Volume at 5 m/s	Volume at 9 m/s
		h	w	d								
		mm	mm	mm								
			m2	kg	m3/s	m3/s	m3/s	m3/h	m3/h	m3/h		
ATG-0700-0200-110-C20	Damper Air Tight h x w L=110 F=C20	700	200	110	0.140	5.70	0.280	0.840	1.260	2016	2520	4536
ATG-0700-0250-110-C20	Damper Air Tight h x w L=110 F=C20	700	250	110	0.175	6.75	0.350	1.050	1.575	2520	3150	5670
ATG-0700-0300-110-C20	Damper Air Tight h x w L=110 F=C20	700	300	110	0.210	7.80	0.420	1.260	1.890	3024	3780	6804
ATG-0700-0350-110-C20	Damper Air Tight h x w L=110 F=C20	700	350	110	0.245	8.85	0.490	1.470	2.205	3528	4410	7938
ATG-0700-0400-110-C20	Damper Air Tight h x w L=110 F=C20	700	400	110	0.280	9.90	0.560	1.680	2.520	4032	5040	9072
ATG-0700-0450-110-C20	Damper Air Tight h x w L=110 F=C20	700	450	110	0.315	10.95	0.630	1.890	2.835	4536	5670	10206
ATG-0700-0500-110-C20	Damper Air Tight h x w L=110 F=C20	700	500	110	0.350	12.00	0.700	2.100	3.150	5040	6300	11340
ATG-0700-0550-110-C20	Damper Air Tight h x w L=110 F=C20	700	550	110	0.385	13.05	0.770	2.310	3.465	5544	6930	12474
ATG-0700-0600-110-C20	Damper Air Tight h x w L=110 F=C20	700	600	110	0.420	14.10	0.840	2.520	3.780	6048	7560	13608
ATG-0700-0650-110-C20	Damper Air Tight h x w L=110 F=C20	700	650	110	0.455	15.15	0.910	2.730	4.095	6552	8190	14742
ATG-0700-0700-110-C20	Damper Air Tight h x w L=110 F=C20	700	700	110	0.490	16.20	0.980	2.940	4.410	7056	8820	15876
ATG-0700-0750-110-C20	Damper Air Tight h x w L=110 F=C20	700	750	110	0.525	17.25	1.050	3.150	4.725	7560	9450	17010
ATG-0700-0800-110-C20	Damper Air Tight h x w L=110 F=C20	700	800	110	0.560	18.30	1.120	3.360	5.040	8064	10080	18144
ATG-0700-0850-110-C20	Damper Air Tight h x w L=110 F=C20	700	850	110	0.595	19.35	1.190	3.570	5.355	8568	10710	19278
ATG-0700-0900-110-C20	Damper Air Tight h x w L=110 F=C20	700	900	110	0.630	20.40	1.260	3.780	5.670	9072	11340	20412
ATG-0700-0950-110-C20	Damper Air Tight h x w L=110 F=C20	700	950	110	0.665	21.45	1.330	3.990	5.985	9576	11970	21546
ATG-0700-1000-110-C20	Damper Air Tight h x w L=110 F=C20	700	1000	110	0.700	22.50	1.400	4.200	6.300	10080	12600	22680
ATG-0700-1050-110-C20	Damper Air Tight h x w L=110 F=C20	700	1050	110	0.735	23.55	1.470	4.410	6.615	10584	13230	23814
ATG-0700-1100-110-C20	Damper Air Tight h x w L=110 F=C20	700	1100	110	0.770	24.60	1.540	4.620	6.930	11088	13860	24948
ATG-0700-1150-110-C20	Damper Air Tight h x w L=110 F=C20	700	1150	110	0.805	25.65	1.610	4.830	7.245	11592	14490	26082
ATG-0700-1200-110-C20	Damper Air Tight h x w L=110 F=C20	700	1200	110	0.840	26.70	1.680	5.040	7.560	12096	15120	27216
ATG-0800-0200-110-C20	Damper Air Tight h x w L=110 F=C20	800	200	110	0.160	6.30	0.320	0.960	1.440	2304	2880	5184
ATG-0800-0250-110-C20	Damper Air Tight h x w L=110 F=C20	800	250	110	0.200	7.50	0.400	1.200	1.800	2880	3600	6480
ATG-0800-0300-110-C20	Damper Air Tight h x w L=110 F=C20	800	300	110	0.240	8.70	0.480	1.440	2.160	3456	4320	7776
ATG-0800-0350-110-C20	Damper Air Tight h x w L=110 F=C20	800	350	110	0.280	9.90	0.560	1.680	2.520	4032	5040	9072
ATG-0800-0400-110-C20	Damper Air Tight h x w L=110 F=C20	800	400	110	0.320	11.10	0.640	1.920	2.880	4608	5760	10368
ATG-0800-0450-110-C20	Damper Air Tight h x w L=110 F=C20	800	450	110	0.360	12.30	0.720	2.160	3.240	5184	6480	11664
ATG-0800-0500-110-C20	Damper Air Tight h x w L=110 F=C20	800	500	110	0.400	13.50	0.800	2.400	3.600	5760	7200	12960
ATG-0800-0550-110-C20	Damper Air Tight h x w L=110 F=C20	800	550	110	0.440	14.70	0.880	2.640	3.960	6336	7920	14256
ATG-0800-0600-110-C20	Damper Air Tight h x w L=110 F=C20	800	600	110	0.480	15.90	0.960	2.880	4.320	6912	8640	15552
ATG-0800-0650-110-C20	Damper Air Tight h x w L=110 F=C20	800	650	110	0.520	17.10	1.040	3.120	4.680	7488	9360	16848
ATG-0800-0700-110-C20	Damper Air Tight h x w L=110 F=C20	800	700	110	0.560	18.30	1.120	3.360	5.040	8064	10080	18144
ATG-0800-0750-110-C20	Damper Air Tight h x w L=110 F=C20	800	750	110	0.600	19.50	1.200	3.600	5.400	8640	10800	19440
ATG-0800-0800-110-C20	Damper Air Tight h x w L=110 F=C20	800	800	110	0.640	20.70	1.280	3.840	5.760	9216	11520	20736
ATG-0800-0850-110-C20	Damper Air Tight h x w L=110 F=C20	800	850	110	0.680	21.90	1.360	4.080	6.120	9792	12240	22032
ATG-0800-0900-110-C20	Damper Air Tight h x w L=110 F=C20	800	900	110	0.720	23.10	1.440	4.320	6.480	10368	12960	23328
ATG-0800-0950-110-C20	Damper Air Tight h x w L=110 F=C20	800	950	110	0.760	24.30	1.520	4.560	6.840	10944	13680	24624
ATG-0800-1000-110-C20	Damper Air Tight h x w L=110 F=C20	800	1000	110	0.800	25.50	1.600	4.800	7.200	11520	14400	25920
ATG-0800-1050-110-C20	Damper Air Tight h x w L=110 F=C20	800	1050	110	0.840	26.70	1.680	5.040	7.560	12096	15120	27216
ATG-0800-1100-110-C20	Damper Air Tight h x w L=110 F=C20	800	1100	110	0.880	27.90	1.760	5.280	7.920	12672	15840	28512
ATG-0800-1150-110-C20	Damper Air Tight h x w L=110 F=C20	800	1150	110	0.920	29.10	1.840	5.520	8.280	13248	16560	29808
ATG-0800-1200-110-C20	Damper Air Tight h x w L=110 F=C20	800	1200	110	0.960	30.30	1.920	5.760	8.640	13824	17280	31104
ATG-0900-0200-110-C20	Damper Air Tight h x w L=110 F=C20	900	200	110	0.180	6.90	0.360	1.080	1.620	2592	3240	5832
ATG-0900-0250-110-C20	Damper Air Tight h x w L=110 F=C20	900	250	110	0.225	8.25	0.450	1.350	2.025	3240	4050	7290
ATG-0900-0300-110-C20	Damper Air Tight h x w L=110 F=C20	900	300	110	0.270	9.60	0.540	1.620	2.430	3888	4860	8748
ATG-0900-0350-110-C20	Damper Air Tight h x w L=110 F=C20	900	350	110	0.315	10.95	0.630	1.890	2.835	4536	5670	10206
ATG-0900-0400-110-C20	Damper Air Tight h x w L=110 F=C20	900	400	110	0.360	12.30	0.720	2.160	3.240	5184	6480	11664
ATG-0900-0450-110-C20	Damper Air Tight h x w L=110 F=C20	900	450	110	0.405	13.65	0.810	2.430	3.645	5832	7290	13122
ATG-0900-0500-110-C20	Damper Air Tight h x w L=110 F=C20	900	500	110	0.450	15.00	0.900	2.700	4.050	6480	8100	14580
ATG-0900-0550-110-C20	Damper Air Tight h x w L=110 F=C20	900	550	110	0.495	16.35	0.990	2.970	4.455	7128	8910	16038
ATG-0900-0600-110-C20	Damper Air Tight h x w L=110 F=C20	900	600	110	0.540	17.70	1.080	3.240	4.860	7776	9720	17496
ATG-0900-0650-110-C20	Damper Air Tight h x w L=110 F=C20	900	650	110	0.585	19.05	1.170	3.510	5.265	8424	10530	18954
ATG-0900-0700-110-C20	Damper Air Tight h x w L=110 F=C20	900	700	110	0.630	20.40	1.260	3.780	5.670	9072	11340	20412
ATG-0900-0750-110-C20	Damper Air Tight h x w L=110 F=C20	900	750	110	0.675	21.75	1.350	4.050	6.075	9720	12150	21870
ATG-0900-0800-110-C20	Damper Air Tight h x w L=110 F=C20	900	800	110	0.720	23.10	1.440	4.320	6.480	10368	12960	23328
ATG-0900-0850-110-C20	Damper Air Tight h x w L=110 F=C20	900	850	110	0.765	24.45	1.530	4.590	6.885	11016	13770	24786
ATG-0900-0900-110-C20	Damper Air Tight h x w L=110 F=C20	900	900	110	0.810	25.80	1.620	4.860	7.290	11664	14580	26244
ATG-0900-0950-110-C20	Damper Air Tight h x w L=110 F=C20	900	950	110	0.855	27.15	1.710	5.130	7.695	12312	15390	27702
ATG-0900-1000-110-C20	Damper Air Tight h x w L=110 F=C20	900	1000	110	0.900	28.50	1.800	5.400	8.100	12960	16200	29160
ATG-0900-1050-110-C20	Damper Air Tight h x w L=110 F=C20	900	1050	110	0.945	29.85	1.890	5.670	8.505	13608	17010	30618
ATG-0900-1100-110-C20	Damper Air Tight h x w L=110 F=C20	900	1100	110	0.990	31.20	1.980	5.940	8.910	14256	17820	32076
ATG-0900-1150-110-C20	Damper Air Tight h x w L=110 F=C20	900	1150	110	1.035	32.55	2.070	6.210	9.315	14904	18630	33534
ATG-0900-1200-110-C20	Damper Air Tight h x w L=110 F=C20	900	1200	110	1.080	33.90	2.160	6.480	9.720	15552	19440	34992



ATG DIMENSIONS L=110 F=20 Table 4

Part Number	Description	Height h mm	width w mm	depth d mm	Area m ²	Weight kg	Volume at 2 m/s m ³ /s	Volume at 5 m/s m ³ /s	Volume at 9 m/s m ³ /s	Volume at 2 m/s m ³ /h	Volume at 5 m/s m ³ /h	Volume at 9 m/s m ³ /h
ATG-1000-0200-110-C20	Damper Air Tight h x w L=110 F=C20	1000	200	110	0.200	7.50	0.400	1.200	1.800	2880	3600	6480
ATG-1000-0250-110-C20	Damper Air Tight h x w L=110 F=C20	1000	250	110	0.250	9.00	0.500	1.500	2.250	3600	4500	8100
ATG-1000-0300-110-C20	Damper Air Tight h x w L=110 F=C20	1000	300	110	0.300	10.50	0.600	1.800	2.700	4320	5400	9720
ATG-1000-0350-110-C20	Damper Air Tight h x w L=110 F=C20	1000	350	110	0.350	12.00	0.700	2.100	3.150	5040	6300	11340
ATG-1000-0400-110-C20	Damper Air Tight h x w L=110 F=C20	1000	400	110	0.400	13.50	0.800	2.400	3.600	5760	7200	12960
ATG-1000-0450-110-C20	Damper Air Tight h x w L=110 F=C20	1000	450	110	0.450	15.00	0.900	2.700	4.050	6480	8100	14580
ATG-1000-0500-110-C20	Damper Air Tight h x w L=110 F=C20	1000	500	110	0.500	16.50	1.000	3.000	4.500	7200	9000	16200
ATG-1000-0550-110-C20	Damper Air Tight h x w L=110 F=C20	1000	550	110	0.550	18.00	1.100	3.300	4.950	7920	9900	17820
ATG-1000-0600-110-C20	Damper Air Tight h x w L=110 F=C20	1000	600	110	0.600	19.50	1.200	3.600	5.400	8640	10800	19440
ATG-1000-0650-110-C20	Damper Air Tight h x w L=110 F=C20	1000	650	110	0.650	21.00	1.300	3.900	5.850	9360	11700	21060
ATG-1000-0700-110-C20	Damper Air Tight h x w L=110 F=C20	1000	700	110	0.700	22.50	1.400	4.200	6.300	10080	12600	22680
ATG-1000-0750-110-C20	Damper Air Tight h x w L=110 F=C20	1000	750	110	0.750	24.00	1.500	4.500	6.750	10800	13500	24300
ATG-1000-0800-110-C20	Damper Air Tight h x w L=110 F=C20	1000	800	110	0.800	25.50	1.600	4.800	7.200	11520	14400	25920
ATG-1000-0850-110-C20	Damper Air Tight h x w L=110 F=C20	1000	850	110	0.850	27.00	1.700	5.100	7.650	12240	15300	27540
ATG-1000-0900-110-C20	Damper Air Tight h x w L=110 F=C20	1000	900	110	0.900	28.50	1.800	5.400	8.100	12960	16200	29160
ATG-1000-0950-110-C20	Damper Air Tight h x w L=110 F=C20	1000	950	110	0.950	30.00	1.900	5.700	8.550	13680	17100	30780
ATG-1000-1000-110-C20	Damper Air Tight h x w L=110 F=C20	1000	1000	110	1.000	31.50	2.000	6.000	9.000	14400	18000	32400
ATG-1000-1050-110-C20	Damper Air Tight h x w L=110 F=C20	1000	1050	110	1.050	33.00	2.100	6.300	9.450	15120	18900	34020
ATG-1000-1100-110-C20	Damper Air Tight h x w L=110 F=C20	1000	1100	110	1.100	34.50	2.200	6.600	9.900	15840	19800	35640
ATG-1000-1150-110-C20	Damper Air Tight h x w L=110 F=C20	1000	1150	110	1.150	36.00	2.300	6.900	10.350	16560	20700	37260
ATG-1000-1200-110-C20	Damper Air Tight h x w L=110 F=C20	1000	1200	110	1.200	37.50	2.400	7.200	10.800	17280	21600	38880
ATG-1100-0200-110-C20	Damper Air Tight h x w L=110 F=C20	1100	200	110	0.220	8.10	0.440	1.320	1.980	3168	3960	7128
ATG-1100-0250-110-C20	Damper Air Tight h x w L=110 F=C20	1100	250	110	0.275	9.75	0.550	1.650	2.475	3960	4950	8910
ATG-1100-0300-110-C20	Damper Air Tight h x w L=110 F=C20	1100	300	110	0.330	11.40	0.660	1.980	2.970	4752	5940	10692
ATG-1100-0350-110-C20	Damper Air Tight h x w L=110 F=C20	1100	350	110	0.385	13.05	0.770	2.310	3.465	5544	6930	12474
ATG-1100-0400-110-C20	Damper Air Tight h x w L=110 F=C20	1100	400	110	0.440	14.70	0.880	2.640	3.960	6336	7920	14256
ATG-1100-0450-110-C20	Damper Air Tight h x w L=110 F=C20	1100	450	110	0.495	16.35	0.990	2.970	4.455	7128	8910	16038
ATG-1100-0500-110-C20	Damper Air Tight h x w L=110 F=C20	1100	500	110	0.550	18.00	1.100	3.300	4.950	7920	9900	17820
ATG-1100-0550-110-C20	Damper Air Tight h x w L=110 F=C20	1100	550	110	0.605	19.65	1.210	3.630	5.445	8712	10890	19602
ATG-1100-0600-110-C20	Damper Air Tight h x w L=110 F=C20	1100	600	110	0.660	21.30	1.320	3.960	5.940	9504	11880	21384
ATG-1100-0650-110-C20	Damper Air Tight h x w L=110 F=C20	1100	650	110	0.715	22.95	1.430	4.290	6.435	10296	12870	23166
ATG-1100-0700-110-C20	Damper Air Tight h x w L=110 F=C20	1100	700	110	0.770	24.60	1.540	4.620	6.930	11088	13860	24948
ATG-1100-0750-110-C20	Damper Air Tight h x w L=110 F=C20	1100	750	110	0.825	26.25	1.650	4.950	7.425	11880	14850	26730
ATG-1100-0800-110-C20	Damper Air Tight h x w L=110 F=C20	1100	800	110	0.880	27.90	1.760	5.280	7.920	12672	15840	28512
ATG-1100-0850-110-C20	Damper Air Tight h x w L=110 F=C20	1100	850	110	0.935	29.55	1.870	5.610	8.415	13464	16830	30294
ATG-1100-0900-110-C20	Damper Air Tight h x w L=110 F=C20	1100	900	110	0.990	31.20	1.980	5.940	8.910	14256	17820	32076
ATG-1100-0950-110-C20	Damper Air Tight h x w L=110 F=C20	1100	950	110	1.045	32.85	2.090	6.270	9.405	15048	18810	33858
ATG-1100-1000-110-C20	Damper Air Tight h x w L=110 F=C20	1100	1000	110	1.100	34.50	2.200	6.600	9.900	15840	19800	35640
ATG-1100-1050-110-C20	Damper Air Tight h x w L=110 F=C20	1100	1050	110	1.155	36.15	2.310	6.930	10.395	16632	20790	37422
ATG-1100-1100-110-C20	Damper Air Tight h x w L=110 F=C20	1100	1100	110	1.210	37.80	2.420	7.260	10.890	17424	21780	39204
ATG-1100-1150-110-C20	Damper Air Tight h x w L=110 F=C20	1100	1150	110	1.265	39.45	2.530	7.590	11.385	18216	22770	40986
ATG-1100-1200-110-C20	Damper Air Tight h x w L=110 F=C20	1100	1200	110	1.320	41.10	2.640	7.920	11.880	19008	23760	42768
ATG-1200-0200-110-C20	Damper Air Tight h x w L=110 F=C20	1200	200	110	0.240	8.70	0.480	1.440	2.160	3456	4320	7776
ATG-1200-0250-110-C20	Damper Air Tight h x w L=110 F=C20	1200	250	110	0.300	10.50	0.600	1.800	2.700	4320	5400	9720
ATG-1200-0300-110-C20	Damper Air Tight h x w L=110 F=C20	1200	300	110	0.360	12.30	0.720	2.160	3.240	5184	6480	11664
ATG-1200-0350-110-C20	Damper Air Tight h x w L=110 F=C20	1200	350	110	0.420	14.10	0.840	2.520	3.780	6048	7560	13608
ATG-1200-0400-110-C20	Damper Air Tight h x w L=110 F=C20	1200	400	110	0.480	15.90	0.960	2.880	4.320	6912	8640	15552
ATG-1200-0450-110-C20	Damper Air Tight h x w L=110 F=C20	1200	450	110	0.540	17.70	1.080	3.240	4.860	7776	9720	17496
ATG-1200-0500-110-C20	Damper Air Tight h x w L=110 F=C20	1200	500	110	0.600	19.50	1.200	3.600	5.400	8640	10800	19440
ATG-1200-0550-110-C20	Damper Air Tight h x w L=110 F=C20	1200	550	110	0.660	21.30	1.320	3.960	5.940	9504	11880	21384
ATG-1200-0600-110-C20	Damper Air Tight h x w L=110 F=C20	1200	600	110	0.720	23.10	1.440	4.320	6.480	10368	12960	23328
ATG-1200-0650-110-C20	Damper Air Tight h x w L=110 F=C20	1200	650	110	0.780	24.90	1.560	4.680	7.020	11232	14040	25272
ATG-1200-0700-110-C20	Damper Air Tight h x w L=110 F=C20	1200	700	110	0.840	26.70	1.680	5.040	7.560	12096	15120	27216
ATG-1200-0750-110-C20	Damper Air Tight h x w L=110 F=C20	1200	750	110	0.900	28.50	1.800	5.400	8.100	12960	16200	29160
ATG-1200-0800-110-C20	Damper Air Tight h x w L=110 F=C20	1200	800	110	0.960	30.30	1.920	5.760	8.640	13824	17280	31104
ATG-1200-0850-110-C20	Damper Air Tight h x w L=110 F=C20	1200	850	110	1.020	32.10	2.040	6.120	9.180	14688	18360	33048
ATG-1200-0900-110-C20	Damper Air Tight h x w L=110 F=C20	1200	900	110	1.080	33.90	2.160	6.480	9.720	15552	19440	34992
ATG-1200-0950-110-C20	Damper Air Tight h x w L=110 F=C20	1200	950	110	1.140	35.70	2.280	6.840	10.260	16416	20520	36936
ATG-1200-1000-110-C20	Damper Air Tight h x w L=110 F=C20	1200	1000	110	1.200	37.50	2.400	7.200	10.800	17280	21600	38880
ATG-1200-1050-110-C20	Damper Air Tight h x w L=110 F=C20	1200	1050	110	1.260	39.30	2.520	7.560	11.340	18144	22680	40824
ATG-1200-1100-110-C20	Damper Air Tight h x w L=110 F=C20	1200	1100	110	1.320	41.10	2.640	7.920	11.880	19008	23760	42768
ATG-1200-1150-110-C20	Damper Air Tight h x w L=110 F=C20	1200	1150	110	1.380	42.90	2.760	8.280	12.420	19872	24840	44712
ATG-1200-1200-110-C20	Damper Air Tight h x w L=110 F=C20	1200	1200	110	1.440	44.70	2.880	8.640	12.960	20736	25920	46656

ATG DIMENSIONS L=110 F=30 Table 5

Part Number	Description	Height h mm	width w mm	depth d mm	Area m2	Weight kg	Volume at 2 m/s m3/s	Volume at 5 m/s m3/s	Volume at 9 m/s m3/s	Volume at 2 m/s m3/h	Volume at 5 m/s m3/h	Volume at 9 m/s m3/h
ATG-0100-0200-110-C30	Damper Air Tight h x w L=110 F=C30	100	200	110	0.020	2.10	0.040	0.120	0.180	288	360	648
ATG-0100-0250-110-C30	Damper Air Tight h x w L=110 F=C30	100	250	110	0.025	2.25	0.050	0.150	0.225	360	450	810
ATG-0100-0300-110-C30	Damper Air Tight h x w L=110 F=C30	100	300	110	0.030	2.40	0.060	0.180	0.270	432	540	972
ATG-0100-0350-110-C30	Damper Air Tight h x w L=110 F=C30	100	350	110	0.035	2.55	0.070	0.210	0.315	504	630	1134
ATG-0100-0400-110-C30	Damper Air Tight h x w L=110 F=C30	100	400	110	0.040	2.70	0.080	0.240	0.360	576	720	1296
ATG-0100-0450-110-C30	Damper Air Tight h x w L=110 F=C30	100	450	110	0.045	2.85	0.090	0.270	0.405	648	810	1458
ATG-0100-0500-110-C30	Damper Air Tight h x w L=110 F=C30	100	500	110	0.050	3.00	0.100	0.300	0.450	720	900	1620
ATG-0100-0550-110-C30	Damper Air Tight h x w L=110 F=C30	100	550	110	0.055	3.15	0.110	0.330	0.495	792	990	1782
ATG-0100-0600-110-C30	Damper Air Tight h x w L=110 F=C30	100	600	110	0.060	3.30	0.120	0.360	0.540	864	1080	1944
ATG-0200-0200-110-C30	Damper Air Tight h x w L=110 F=C30	200	200	110	0.040	2.70	0.080	0.240	0.360	576	720	1296
ATG-0200-0250-110-C30	Damper Air Tight h x w L=110 F=C30	200	250	110	0.050	3.00	0.100	0.300	0.450	720	900	1620
ATG-0200-0300-110-C30	Damper Air Tight h x w L=110 F=C30	200	300	110	0.060	3.30	0.120	0.360	0.540	864	1080	1944
ATG-0200-0350-110-C30	Damper Air Tight h x w L=110 F=C30	200	350	110	0.070	3.60	0.140	0.420	0.630	1008	1260	2268
ATG-0200-0400-110-C30	Damper Air Tight h x w L=110 F=C30	200	400	110	0.080	3.90	0.160	0.480	0.720	1152	1440	2592
ATG-0200-0450-110-C30	Damper Air Tight h x w L=110 F=C30	200	450	110	0.090	4.20	0.180	0.540	0.810	1296	1620	2916
ATG-0200-0500-110-C30	Damper Air Tight h x w L=110 F=C30	200	500	110	0.100	4.50	0.200	0.600	0.900	1440	1800	3240
ATG-0200-0550-110-C30	Damper Air Tight h x w L=110 F=C30	200	550	110	0.110	4.80	0.220	0.660	0.990	1584	1980	3564
ATG-0200-0600-110-C30	Damper Air Tight h x w L=110 F=C30	200	600	110	0.120	5.10	0.240	0.720	1.080	1728	2160	3888
ATG-0200-0650-110-C30	Damper Air Tight h x w L=110 F=C30	200	650	110	0.130	5.40	0.260	0.780	1.170	1872	2340	4212
ATG-0200-0700-110-C30	Damper Air Tight h x w L=110 F=C30	200	700	110	0.140	5.70	0.280	0.840	1.260	2016	2520	4536
ATG-0200-0750-110-C30	Damper Air Tight h x w L=110 F=C30	200	750	110	0.150	6.00	0.300	0.900	1.350	2160	2700	4860
ATG-0200-0800-110-C30	Damper Air Tight h x w L=110 F=C30	200	800	110	0.160	6.30	0.320	0.960	1.440	2304	2880	5184
ATG-0200-0850-110-C30	Damper Air Tight h x w L=110 F=C30	200	850	110	0.170	6.60	0.340	1.020	1.530	2448	3060	5508
ATG-0200-0900-110-C30	Damper Air Tight h x w L=110 F=C30	200	900	110	0.180	6.90	0.360	1.080	1.620	2592	3240	5832
ATG-0200-0950-110-C30	Damper Air Tight h x w L=110 F=C30	200	950	110	0.190	7.20	0.380	1.140	1.710	2736	3420	6156
ATG-0200-1000-110-C30	Damper Air Tight h x w L=110 F=C30	200	1000	110	0.200	7.50	0.400	1.200	1.800	2880	3600	6480
ATG-0200-1050-110-C30	Damper Air Tight h x w L=110 F=C30	200	1050	110	0.210	7.80	0.420	1.260	1.890	3024	3780	6804
ATG-0200-1100-110-C30	Damper Air Tight h x w L=110 F=C30	200	1100	110	0.220	8.10	0.440	1.320	1.980	3168	3960	7128
ATG-0200-1150-110-C30	Damper Air Tight h x w L=110 F=C30	200	1150	110	0.230	8.40	0.460	1.380	2.070	3312	4140	7452
ATG-0200-1200-110-C30	Damper Air Tight h x w L=110 F=C30	200	1200	110	0.240	8.70	0.480	1.440	2.160	3456	4320	7776
ATG-0300-0200-110-C30	Damper Air Tight h x w L=110 F=C30	300	200	110	0.060	3.30	0.120	0.360	0.540	864	1080	1944
ATG-0300-0250-110-C30	Damper Air Tight h x w L=110 F=C30	300	250	110	0.075	3.75	0.150	0.450	0.675	1080	1350	2430
ATG-0300-0300-110-C30	Damper Air Tight h x w L=110 F=C30	300	300	110	0.090	4.20	0.180	0.540	0.810	1296	1620	2916
ATG-0300-0350-110-C30	Damper Air Tight h x w L=110 F=C30	300	350	110	0.105	4.65	0.210	0.630	0.945	1512	1890	3402
ATG-0300-0400-110-C30	Damper Air Tight h x w L=110 F=C30	300	400	110	0.120	5.10	0.240	0.720	1.080	1728	2160	3888
ATG-0300-0450-110-C30	Damper Air Tight h x w L=110 F=C30	300	450	110	0.135	5.55	0.270	0.810	1.215	1944	2430	4374
ATG-0300-0500-110-C30	Damper Air Tight h x w L=110 F=C30	300	500	110	0.150	6.00	0.300	0.900	1.350	2160	2700	4860
ATG-0300-0550-110-C30	Damper Air Tight h x w L=110 F=C30	300	550	110	0.165	6.45	0.330	0.990	1.485	2376	2970	5346
ATG-0300-0600-110-C30	Damper Air Tight h x w L=110 F=C30	300	600	110	0.180	6.90	0.360	1.080	1.620	2592	3240	5832
ATG-0300-0650-110-C30	Damper Air Tight h x w L=110 F=C30	300	650	110	0.195	7.35	0.390	1.170	1.755	2808	3510	6318
ATG-0300-0700-110-C30	Damper Air Tight h x w L=110 F=C30	300	700	110	0.210	7.80	0.420	1.260	1.890	3024	3780	6804
ATG-0300-0750-110-C30	Damper Air Tight h x w L=110 F=C30	300	750	110	0.225	8.25	0.450	1.350	2.025	3240	4050	7290
ATG-0300-0800-110-C30	Damper Air Tight h x w L=110 F=C30	300	800	110	0.240	8.70	0.480	1.440	2.160	3456	4320	7776
ATG-0300-0850-110-C30	Damper Air Tight h x w L=110 F=C30	300	850	110	0.255	9.15	0.510	1.530	2.295	3672	4590	8262
ATG-0300-0900-110-C30	Damper Air Tight h x w L=110 F=C30	300	900	110	0.270	9.60	0.540	1.620	2.430	3888	4860	8748
ATG-0300-0950-110-C30	Damper Air Tight h x w L=110 F=C30	300	950	110	0.285	10.05	0.570	1.710	2.565	4104	5130	9234
ATG-0300-1000-110-C30	Damper Air Tight h x w L=110 F=C30	300	1000	110	0.300	10.50	0.600	1.800	2.700	4320	5400	9720
ATG-0300-1050-110-C30	Damper Air Tight h x w L=110 F=C30	300	1050	110	0.315	10.95	0.630	1.890	2.835	4536	5670	10206
ATG-0300-1100-110-C30	Damper Air Tight h x w L=110 F=C30	300	1100	110	0.330	11.40	0.660	1.980	2.970	4752	5940	10692
ATG-0300-1150-110-C30	Damper Air Tight h x w L=110 F=C30	300	1150	110	0.345	11.85	0.690	2.070	3.105	4968	6210	11178
ATG-0300-1200-110-C30	Damper Air Tight h x w L=110 F=C30	300	1200	110	0.360	12.30	0.720	2.160	3.240	5184	6480	11664

ATG DIMENSIONS L=110 F=30 Table 6

Part Number	Description	Height h mm	width w mm	depth d mm	Area m2	Weight kg	Volume at 2 m/s m3/s	Volume at 5 m/s m3/s	Volume at 9 m/s m3/s	Volume at 2 m/s m3/h	Volume at 5 m/s m3/h	Volume at 9 m/s m3/h
ATG-0400-0200-110-C30	Damper Air Tight h x w L=110 F=C30	400	200	110	0.080	3.90	0.160	0.480	0.720	1152	1440	2592
ATG-0400-0250-110-C30	Damper Air Tight h x w L=110 F=C30	400	250	110	0.100	4.50	0.200	0.600	0.900	1440	1800	3240
ATG-0400-0300-110-C30	Damper Air Tight h x w L=110 F=C30	400	300	110	0.120	5.10	0.240	0.720	1.080	1728	2160	3888
ATG-0400-0350-110-C30	Damper Air Tight h x w L=110 F=C30	400	350	110	0.140	5.70	0.280	0.840	1.260	2016	2520	4536
ATG-0400-0400-110-C30	Damper Air Tight h x w L=110 F=C30	400	400	110	0.160	6.30	0.320	0.960	1.440	2304	2880	5184
ATG-0400-0450-110-C30	Damper Air Tight h x w L=110 F=C30	400	450	110	0.180	6.90	0.360	1.080	1.620	2592	3240	5832
ATG-0400-0500-110-C30	Damper Air Tight h x w L=110 F=C30	400	500	110	0.200	7.50	0.400	1.200	1.800	2880	3600	6480
ATG-0400-0550-110-C30	Damper Air Tight h x w L=110 F=C30	400	550	110	0.220	8.10	0.440	1.320	1.980	3168	3960	7128
ATG-0400-0600-110-C30	Damper Air Tight h x w L=110 F=C30	400	600	110	0.240	8.70	0.480	1.440	2.160	3456	4320	7776
ATG-0400-0650-110-C30	Damper Air Tight h x w L=110 F=C30	400	650	110	0.260	9.30	0.520	1.560	2.340	3744	4680	8424
ATG-0400-0700-110-C30	Damper Air Tight h x w L=110 F=C30	400	700	110	0.280	9.90	0.560	1.680	2.520	4032	5040	9072
ATG-0400-0750-110-C30	Damper Air Tight h x w L=110 F=C30	400	750	110	0.300	10.50	0.600	1.800	2.700	4320	5400	9720
ATG-0400-0800-110-C30	Damper Air Tight h x w L=110 F=C30	400	800	110	0.320	11.10	0.640	1.920	2.880	4608	5760	10368
ATG-0400-0850-110-C30	Damper Air Tight h x w L=110 F=C30	400	850	110	0.340	11.70	0.680	2.040	3.060	4896	6120	11016
ATG-0400-0900-110-C30	Damper Air Tight h x w L=110 F=C30	400	900	110	0.360	12.30	0.720	2.160	3.240	5184	6480	11664
ATG-0400-0950-110-C30	Damper Air Tight h x w L=110 F=C30	400	950	110	0.380	12.90	0.760	2.280	3.420	5472	6840	12312
ATG-0400-1000-110-C30	Damper Air Tight h x w L=110 F=C30	400	1000	110	0.400	13.50	0.800	2.400	3.600	5760	7200	12960
ATG-0400-1050-110-C30	Damper Air Tight h x w L=110 F=C30	400	1050	110	0.420	14.10	0.840	2.520	3.780	6048	7560	13608
ATG-0400-1100-110-C30	Damper Air Tight h x w L=110 F=C30	400	1100	110	0.440	14.70	0.880	2.640	3.960	6336	7920	14256
ATG-0400-1150-110-C30	Damper Air Tight h x w L=110 F=C30	400	1150	110	0.460	15.30	0.920	2.760	4.140	6624	8280	14904
ATG-0400-1200-110-C30	Damper Air Tight h x w L=110 F=C30	400	1200	110	0.480	15.90	0.960	2.880	4.320	6912	8640	15552
ATG-0500-0200-110-C30	Damper Air Tight h x w L=110 F=C30	500	200	110	0.100	4.50	0.200	0.600	0.900	1440	1800	3240
ATG-0500-0250-110-C30	Damper Air Tight h x w L=110 F=C30	500	250	110	0.125	5.25	0.250	0.750	1.125	1800	2250	4050
ATG-0500-0300-110-C30	Damper Air Tight h x w L=110 F=C30	500	300	110	0.150	6.00	0.300	0.900	1.350	2160	2700	4860
ATG-0500-0350-110-C30	Damper Air Tight h x w L=110 F=C30	500	350	110	0.175	6.75	0.350	1.050	1.575	2520	3150	5670
ATG-0500-0400-110-C30	Damper Air Tight h x w L=110 F=C30	500	400	110	0.200	7.50	0.400	1.200	1.800	2880	3600	6480
ATG-0500-0450-110-C30	Damper Air Tight h x w L=110 F=C30	500	450	110	0.225	8.25	0.450	1.350	2.025	3240	4050	7290
ATG-0500-0500-110-C30	Damper Air Tight h x w L=110 F=C30	500	500	110	0.250	9.00	0.500	1.500	2.250	3600	4500	8100
ATG-0500-0550-110-C30	Damper Air Tight h x w L=110 F=C30	500	550	110	0.275	9.75	0.550	1.650	2.475	3960	4950	8910
ATG-0500-0600-110-C30	Damper Air Tight h x w L=110 F=C30	500	600	110	0.300	10.50	0.600	1.800	2.700	4320	5400	9720
ATG-0500-0650-110-C30	Damper Air Tight h x w L=110 F=C30	500	650	110	0.325	11.25	0.650	1.950	2.925	4680	5850	10530
ATG-0500-0700-110-C30	Damper Air Tight h x w L=110 F=C30	500	700	110	0.350	12.00	0.700	2.100	3.150	5040	6300	11340
ATG-0500-0750-110-C30	Damper Air Tight h x w L=110 F=C30	500	750	110	0.375	12.75	0.750	2.250	3.375	5400	6750	12150
ATG-0500-0800-110-C30	Damper Air Tight h x w L=110 F=C30	500	800	110	0.400	13.50	0.800	2.400	3.600	5760	7200	12960
ATG-0500-0850-110-C30	Damper Air Tight h x w L=110 F=C30	500	850	110	0.425	14.25	0.850	2.550	3.825	6120	7650	13770
ATG-0500-0900-110-C30	Damper Air Tight h x w L=110 F=C30	500	900	110	0.450	15.00	0.900	2.700	4.050	6480	8100	14580
ATG-0500-0950-110-C30	Damper Air Tight h x w L=110 F=C30	500	950	110	0.475	15.75	0.950	2.850	4.275	6840	8550	15390
ATG-0500-1000-110-C30	Damper Air Tight h x w L=110 F=C30	500	1000	110	0.500	16.50	1.000	3.000	4.500	7200	9000	16200
ATG-0500-1050-110-C30	Damper Air Tight h x w L=110 F=C30	500	1050	110	0.525	17.25	1.050	3.150	4.725	7560	9450	17010
ATG-0500-1100-110-C30	Damper Air Tight h x w L=110 F=C30	500	1100	110	0.550	18.00	1.100	3.300	4.950	7920	9900	17820
ATG-0500-1150-110-C30	Damper Air Tight h x w L=110 F=C30	500	1150	110	0.575	18.75	1.150	3.450	5.175	8280	10350	18630
ATG-0500-1200-110-C30	Damper Air Tight h x w L=110 F=C30	500	1200	110	0.600	19.50	1.200	3.600	5.400	8640	10800	19440
ATG-0600-0200-110-C30	Damper Air Tight h x w L=110 F=C30	600	200	110	0.120	5.10	0.240	0.720	1.080	1728	2160	3888
ATG-0600-0250-110-C30	Damper Air Tight h x w L=110 F=C30	600	250	110	0.150	6.00	0.300	0.900	1.350	2160	2700	4860
ATG-0600-0300-110-C30	Damper Air Tight h x w L=110 F=C30	600	300	110	0.180	6.90	0.360	1.080	1.620	2592	3240	5832
ATG-0600-0350-110-C30	Damper Air Tight h x w L=110 F=C30	600	350	110	0.210	7.80	0.420	1.260	1.890	3024	3780	6804
ATG-0600-0400-110-C30	Damper Air Tight h x w L=110 F=C30	600	400	110	0.240	8.70	0.480	1.440	2.160	3456	4320	7776
ATG-0600-0450-110-C30	Damper Air Tight h x w L=110 F=C30	600	450	110	0.270	9.60	0.540	1.620	2.430	3888	4860	8748
ATG-0600-0500-110-C30	Damper Air Tight h x w L=110 F=C30	600	500	110	0.300	10.50	0.600	1.800	2.700	4320	5400	9720
ATG-0600-0550-110-C30	Damper Air Tight h x w L=110 F=C30	600	550	110	0.330	11.40	0.660	1.980	2.970	4752	5940	10692
ATG-0600-0600-110-C30	Damper Air Tight h x w L=110 F=C30	600	600	110	0.360	12.30	0.720	2.160	3.240	5184	6480	11664
ATG-0600-0650-110-C30	Damper Air Tight h x w L=110 F=C30	600	650	110	0.390	13.20	0.780	2.340	3.510	5616	7020	12636
ATG-0600-0700-110-C30	Damper Air Tight h x w L=110 F=C30	600	700	110	0.420	14.10	0.840	2.520	3.780	6048	7560	13608
ATG-0600-0750-110-C30	Damper Air Tight h x w L=110 F=C30	600	750	110	0.450	15.00	0.900	2.700	4.050	6480	8100	14580
ATG-0600-0800-110-C30	Damper Air Tight h x w L=110 F=C30	600	800	110	0.480	15.90	0.960	2.880	4.320	6912	8640	15552
ATG-0600-0850-110-C30	Damper Air Tight h x w L=110 F=C30	600	850	110	0.510	16.80	1.020	3.060	4.590	7344	9180	16524
ATG-0600-0900-110-C30	Damper Air Tight h x w L=110 F=C30	600	900	110	0.540	17.70	1.080	3.240	4.860	7776	9720	17496
ATG-0600-0950-110-C30	Damper Air Tight h x w L=110 F=C30	600	950	110	0.570	18.60	1.140	3.420	5.130	8208	10260	18468
ATG-0600-1000-110-C30	Damper Air Tight h x w L=110 F=C30	600	1000	110	0.600	19.50	1.200	3.600	5.400	8640	10800	19440
ATG-0600-1050-110-C30	Damper Air Tight h x w L=110 F=C30	600	1050	110	0.630	20.40	1.260	3.780	5.670	9072	11340	20412
ATG-0600-1100-110-C30	Damper Air Tight h x w L=110 F=C30	600	1100	110	0.660	21.30	1.320	3.960	5.940	9504	11880	21384
ATG-0600-1150-110-C30	Damper Air Tight h x w L=110 F=C30	600	1150	110	0.690	22.20	1.380	4.140	6.210	9936	12420	22356
ATG-0600-1200-110-C30	Damper Air Tight h x w L=110 F=C30	600	1200	110	0.720	23.10	1.440	4.320	6.480	10368	12960	23328

ATG DIMENSIONS L=110 F=30 Table 7

Part Number	Description	Height	width	depth	Area	Weight	Volume	Volume	Volume	Volume	Volume	Volume
		h	w	d			at 2 m/s	at 5 m/s	at 9 m/s	at 2 m/s	at 5 m/s	at 9 m/s
		mm	mm	mm	m ²	kg	m ³ /s	m ³ /s	m ³ /s	m ³ /h	m ³ /h	m ³ /h
ATG-0700-0200-110-C30	Damper Air Tight h x w L=110 F=C30	700	200	110	0.140	5.70	0.280	0.840	1.260	2016	2520	4536
ATG-0700-0250-110-C30	Damper Air Tight h x w L=110 F=C30	700	250	110	0.175	6.75	0.350	1.050	1.575	2520	3150	5670
ATG-0700-0300-110-C30	Damper Air Tight h x w L=110 F=C30	700	300	110	0.210	7.80	0.420	1.260	1.890	3024	3780	6804
ATG-0700-0350-110-C30	Damper Air Tight h x w L=110 F=C30	700	350	110	0.245	8.85	0.490	1.470	2.205	3528	4410	7938
ATG-0700-0400-110-C30	Damper Air Tight h x w L=110 F=C30	700	400	110	0.280	9.90	0.560	1.680	2.520	4032	5040	9072
ATG-0700-0450-110-C30	Damper Air Tight h x w L=110 F=C30	700	450	110	0.315	10.95	0.630	1.890	2.835	4536	5670	10206
ATG-0700-0500-110-C30	Damper Air Tight h x w L=110 F=C30	700	500	110	0.350	12.00	0.700	2.100	3.150	5040	6300	11340
ATG-0700-0550-110-C30	Damper Air Tight h x w L=110 F=C30	700	550	110	0.385	13.05	0.770	2.310	3.465	5544	6930	12474
ATG-0700-0600-110-C30	Damper Air Tight h x w L=110 F=C30	700	600	110	0.420	14.10	0.840	2.520	3.780	6048	7560	13608
ATG-0700-0650-110-C30	Damper Air Tight h x w L=110 F=C30	700	650	110	0.455	15.15	0.910	2.730	4.095	6552	8190	14742
ATG-0700-0700-110-C30	Damper Air Tight h x w L=110 F=C30	700	700	110	0.490	16.20	0.980	2.940	4.410	7056	8820	15876
ATG-0700-0750-110-C30	Damper Air Tight h x w L=110 F=C30	700	750	110	0.525	17.25	1.050	3.150	4.725	7560	9450	17010
ATG-0700-0800-110-C30	Damper Air Tight h x w L=110 F=C30	700	800	110	0.560	18.30	1.120	3.360	5.040	8064	10080	18144
ATG-0700-0850-110-C30	Damper Air Tight h x w L=110 F=C30	700	850	110	0.595	19.35	1.190	3.570	5.355	8568	10710	19278
ATG-0700-0900-110-C30	Damper Air Tight h x w L=110 F=C30	700	900	110	0.630	20.40	1.260	3.780	5.670	9072	11340	20412
ATG-0700-0950-110-C30	Damper Air Tight h x w L=110 F=C30	700	950	110	0.665	21.45	1.330	3.990	5.985	9576	11970	21546
ATG-0700-1000-110-C30	Damper Air Tight h x w L=110 F=C30	700	1000	110	0.700	22.50	1.400	4.200	6.300	10080	12600	22680
ATG-0700-1050-110-C30	Damper Air Tight h x w L=110 F=C30	700	1050	110	0.735	23.55	1.470	4.410	6.615	10584	13230	23814
ATG-0700-1100-110-C30	Damper Air Tight h x w L=110 F=C30	700	1100	110	0.770	24.60	1.540	4.620	6.930	11088	13860	24948
ATG-0700-1150-110-C30	Damper Air Tight h x w L=110 F=C30	700	1150	110	0.805	25.65	1.610	4.830	7.245	11592	14490	26082
ATG-0700-1200-110-C30	Damper Air Tight h x w L=110 F=C30	700	1200	110	0.840	26.70	1.680	5.040	7.560	12096	15120	27216
ATG-0800-0200-110-C30	Damper Air Tight h x w L=110 F=C30	800	200	110	0.160	6.30	0.320	0.960	1.440	2304	2880	5184
ATG-0800-0250-110-C30	Damper Air Tight h x w L=110 F=C30	800	250	110	0.200	7.50	0.400	1.200	1.800	2880	3600	6480
ATG-0800-0300-110-C30	Damper Air Tight h x w L=110 F=C30	800	300	110	0.240	8.70	0.480	1.440	2.160	3456	4320	7776
ATG-0800-0350-110-C30	Damper Air Tight h x w L=110 F=C30	800	350	110	0.280	9.90	0.560	1.680	2.520	4032	5040	9072
ATG-0800-0400-110-C30	Damper Air Tight h x w L=110 F=C30	800	400	110	0.320	11.10	0.640	1.920	2.880	4608	5760	10368
ATG-0800-0450-110-C30	Damper Air Tight h x w L=110 F=C30	800	450	110	0.360	12.30	0.720	2.160	3.240	5184	6480	11664
ATG-0800-0500-110-C30	Damper Air Tight h x w L=110 F=C30	800	500	110	0.400	13.50	0.800	2.400	3.600	5760	7200	12960
ATG-0800-0550-110-C30	Damper Air Tight h x w L=110 F=C30	800	550	110	0.440	14.70	0.880	2.640	3.960	6336	7920	14256
ATG-0800-0600-110-C30	Damper Air Tight h x w L=110 F=C30	800	600	110	0.480	15.90	0.960	2.880	4.320	6912	8640	15552
ATG-0800-0650-110-C30	Damper Air Tight h x w L=110 F=C30	800	650	110	0.520	17.10	1.040	3.120	4.680	7488	9360	16848
ATG-0800-0700-110-C30	Damper Air Tight h x w L=110 F=C30	800	700	110	0.560	18.30	1.120	3.360	5.040	8064	10080	18144
ATG-0800-0750-110-C30	Damper Air Tight h x w L=110 F=C30	800	750	110	0.600	19.50	1.200	3.600	5.400	8640	10800	19440
ATG-0800-0800-110-C30	Damper Air Tight h x w L=110 F=C30	800	800	110	0.640	20.70	1.280	3.840	5.760	9216	11520	20736
ATG-0800-0850-110-C30	Damper Air Tight h x w L=110 F=C30	800	850	110	0.680	21.90	1.360	4.080	6.120	9792	12240	22032
ATG-0800-0900-110-C30	Damper Air Tight h x w L=110 F=C30	800	900	110	0.720	23.10	1.440	4.320	6.480	10368	12960	23328
ATG-0800-0950-110-C30	Damper Air Tight h x w L=110 F=C30	800	950	110	0.760	24.30	1.520	4.560	6.840	10944	13680	24624
ATG-0800-1000-110-C30	Damper Air Tight h x w L=110 F=C30	800	1000	110	0.800	25.50	1.600	4.800	7.200	11520	14400	25920
ATG-0800-1050-110-C30	Damper Air Tight h x w L=110 F=C30	800	1050	110	0.840	26.70	1.680	5.040	7.560	12096	15120	27216
ATG-0800-1100-110-C30	Damper Air Tight h x w L=110 F=C30	800	1100	110	0.880	27.90	1.760	5.280	7.920	12672	15840	28512
ATG-0800-1150-110-C30	Damper Air Tight h x w L=110 F=C30	800	1150	110	0.920	29.10	1.840	5.520	8.280	13248	16560	29808
ATG-0800-1200-110-C30	Damper Air Tight h x w L=110 F=C30	800	1200	110	0.960	30.30	1.920	5.760	8.640	13824	17280	31104
ATG-0900-0200-110-C30	Damper Air Tight h x w L=110 F=C30	900	200	110	0.180	6.90	0.360	1.080	1.620	2592	3240	5832
ATG-0900-0250-110-C30	Damper Air Tight h x w L=110 F=C30	900	250	110	0.225	8.25	0.450	1.350	2.025	3240	4050	7290
ATG-0900-0300-110-C30	Damper Air Tight h x w L=110 F=C30	900	300	110	0.270	9.60	0.540	1.620	2.430	3888	4860	8748
ATG-0900-0350-110-C30	Damper Air Tight h x w L=110 F=C30	900	350	110	0.315	10.95	0.630	1.890	2.835	4536	5670	10206
ATG-0900-0400-110-C30	Damper Air Tight h x w L=110 F=C30	900	400	110	0.360	12.30	0.720	2.160	3.240	5184	6480	11664
ATG-0900-0450-110-C30	Damper Air Tight h x w L=110 F=C30	900	450	110	0.405	13.65	0.810	2.430	3.645	5832	7290	13122
ATG-0900-0500-110-C30	Damper Air Tight h x w L=110 F=C30	900	500	110	0.450	15.00	0.900	2.700	4.050	6480	8100	14580
ATG-0900-0550-110-C30	Damper Air Tight h x w L=110 F=C30	900	550	110	0.495	16.35	0.990	2.970	4.455	7128	8910	16038
ATG-0900-0600-110-C30	Damper Air Tight h x w L=110 F=C30	900	600	110	0.540	17.70	1.080	3.240	4.860	7776	9720	17496
ATG-0900-0650-110-C30	Damper Air Tight h x w L=110 F=C30	900	650	110	0.585	19.05	1.170	3.510	5.265	8424	10530	18954
ATG-0900-0700-110-C30	Damper Air Tight h x w L=110 F=C30	900	700	110	0.630	20.40	1.260	3.780	5.670	9072	11340	20412
ATG-0900-0750-110-C30	Damper Air Tight h x w L=110 F=C30	900	750	110	0.675	21.75	1.350	4.050	6.075	9720	12150	21870
ATG-0900-0800-110-C30	Damper Air Tight h x w L=110 F=C30	900	800	110	0.720	23.10	1.440	4.320	6.480	10368	12960	23328
ATG-0900-0850-110-C30	Damper Air Tight h x w L=110 F=C30	900	850	110	0.765	24.45	1.530	4.590	6.885	11016	13770	24786
ATG-0900-0900-110-C30	Damper Air Tight h x w L=110 F=C30	900	900	110	0.810	25.80	1.620	4.860	7.290	11664	14580	26244
ATG-0900-0950-110-C30	Damper Air Tight h x w L=110 F=C30	900	950	110	0.855	27.15	1.710	5.130	7.695	12312	15390	27702
ATG-0900-1000-110-C30	Damper Air Tight h x w L=110 F=C30	900	1000	110	0.900	28.50	1.800	5.400	8.100	12960	16200	29160
ATG-0900-1050-110-C30	Damper Air Tight h x w L=110 F=C30	900	1050	110	0.945	29.85	1.890	5.670	8.505	13608	17010	30618
ATG-0900-1100-110-C30	Damper Air Tight h x w L=110 F=C30	900	1100	110	0.990	31.20	1.980	5.940	8.910	14256	17820	32076
ATG-0900-1150-110-C30	Damper Air Tight h x w L=110 F=C30	900	1150	110	1.035	32.55	2.070	6.210	9.315	14904	18630	33534
ATG-0900-1200-110-C30	Damper Air Tight h x w L=110 F=C30	900	1200	110	1.080	33.90	2.160	6.480	9.720	15552	19440	34992

ATG DIMENSIONS L=110 F=30 Table 8

Part Number	Description	Height h mm	width w mm	depth d mm	Area m ²	Weight kg	Volume at 2 m/s m ³ /s	Volume at 5 m/s m ³ /s	Volume at 9 m/s m ³ /s	Volume at 2 m/s m ³ /h	Volume at 5 m/s m ³ /h	Volume at 9 m/s m ³ /h
ATG-1000-0200-110-C30	Damper Air Tight h x w L=110 F=C30	1000	200	110	0.200	7.50	0.400	1.200	1.800	2880	3600	6480
ATG-1000-0250-110-C30	Damper Air Tight h x w L=110 F=C30	1000	250	110	0.250	9.00	0.500	1.500	2.250	3600	4500	8100
ATG-1000-0300-110-C30	Damper Air Tight h x w L=110 F=C30	1000	300	110	0.300	10.50	0.600	1.800	2.700	4320	5400	9720
ATG-1000-0350-110-C30	Damper Air Tight h x w L=110 F=C30	1000	350	110	0.350	12.00	0.700	2.100	3.150	5040	6300	11340
ATG-1000-0400-110-C30	Damper Air Tight h x w L=110 F=C30	1000	400	110	0.400	13.50	0.800	2.400	3.600	5760	7200	12960
ATG-1000-0450-110-C30	Damper Air Tight h x w L=110 F=C30	1000	450	110	0.450	15.00	0.900	2.700	4.050	6480	8100	14580
ATG-1000-0500-110-C30	Damper Air Tight h x w L=110 F=C30	1000	500	110	0.500	16.50	1.000	3.000	4.500	7200	9000	16200
ATG-1000-0550-110-C30	Damper Air Tight h x w L=110 F=C30	1000	550	110	0.550	18.00	1.100	3.300	4.950	7920	9900	17820
ATG-1000-0600-110-C30	Damper Air Tight h x w L=110 F=C30	1000	600	110	0.600	19.50	1.200	3.600	5.400	8640	10800	19440
ATG-1000-0650-110-C30	Damper Air Tight h x w L=110 F=C30	1000	650	110	0.650	21.00	1.300	3.900	5.850	9360	11700	21060
ATG-1000-0700-110-C30	Damper Air Tight h x w L=110 F=C30	1000	700	110	0.700	22.50	1.400	4.200	6.300	10080	12600	22680
ATG-1000-0750-110-C30	Damper Air Tight h x w L=110 F=C30	1000	750	110	0.750	24.00	1.500	4.500	6.750	10800	13500	24300
ATG-1000-0800-110-C30	Damper Air Tight h x w L=110 F=C30	1000	800	110	0.800	25.50	1.600	4.800	7.200	11520	14400	25920
ATG-1000-0850-110-C30	Damper Air Tight h x w L=110 F=C30	1000	850	110	0.850	27.00	1.700	5.100	7.650	12240	15300	27540
ATG-1000-0900-110-C30	Damper Air Tight h x w L=110 F=C30	1000	900	110	0.900	28.50	1.800	5.400	8.100	12960	16200	29160
ATG-1000-0950-110-C30	Damper Air Tight h x w L=110 F=C30	1000	950	110	0.950	30.00	1.900	5.700	8.550	13680	17100	30780
ATG-1000-1000-110-C30	Damper Air Tight h x w L=110 F=C30	1000	1000	110	1.000	31.50	2.000	6.000	9.000	14400	18000	32400
ATG-1000-1050-110-C30	Damper Air Tight h x w L=110 F=C30	1000	1050	110	1.050	33.00	2.100	6.300	9.450	15120	18900	34020
ATG-1000-1100-110-C30	Damper Air Tight h x w L=110 F=C30	1000	1100	110	1.100	34.50	2.200	6.600	9.900	15840	19800	35640
ATG-1000-1150-110-C30	Damper Air Tight h x w L=110 F=C30	1000	1150	110	1.150	36.00	2.300	6.900	10.350	16560	20700	37260
ATG-1000-1200-110-C30	Damper Air Tight h x w L=110 F=C30	1000	1200	110	1.200	37.50	2.400	7.200	10.800	17280	21600	38880
ATG-1100-0200-110-C30	Damper Air Tight h x w L=110 F=C30	1100	200	110	0.220	8.10	0.440	1.320	1.980	3168	3960	7128
ATG-1100-0250-110-C30	Damper Air Tight h x w L=110 F=C30	1100	250	110	0.275	9.75	0.550	1.650	2.475	3960	4950	8910
ATG-1100-0300-110-C30	Damper Air Tight h x w L=110 F=C30	1100	300	110	0.330	11.40	0.660	1.980	2.970	4752	5940	10692
ATG-1100-0350-110-C30	Damper Air Tight h x w L=110 F=C30	1100	350	110	0.385	13.05	0.770	2.310	3.465	5544	6930	12474
ATG-1100-0400-110-C30	Damper Air Tight h x w L=110 F=C30	1100	400	110	0.440	14.70	0.880	2.640	3.960	6336	7920	14256
ATG-1100-0450-110-C30	Damper Air Tight h x w L=110 F=C30	1100	450	110	0.495	16.35	0.990	2.970	4.455	7128	8910	16038
ATG-1100-0500-110-C30	Damper Air Tight h x w L=110 F=C30	1100	500	110	0.550	18.00	1.100	3.300	4.950	7920	9900	17820
ATG-1100-0550-110-C30	Damper Air Tight h x w L=110 F=C30	1100	550	110	0.605	19.65	1.210	3.630	5.445	8712	10890	19602
ATG-1100-0600-110-C30	Damper Air Tight h x w L=110 F=C30	1100	600	110	0.660	21.30	1.320	3.960	5.940	9504	11880	21384
ATG-1100-0650-110-C30	Damper Air Tight h x w L=110 F=C30	1100	650	110	0.715	22.95	1.430	4.290	6.435	10296	12870	23166
ATG-1100-0700-110-C30	Damper Air Tight h x w L=110 F=C30	1100	700	110	0.770	24.60	1.540	4.620	6.930	11088	13860	24948
ATG-1100-0750-110-C30	Damper Air Tight h x w L=110 F=C30	1100	750	110	0.825	26.25	1.650	4.950	7.425	11880	14850	26730
ATG-1100-0800-110-C30	Damper Air Tight h x w L=110 F=C30	1100	800	110	0.880	27.90	1.760	5.280	7.920	12672	15840	28512
ATG-1100-0850-110-C30	Damper Air Tight h x w L=110 F=C30	1100	850	110	0.935	29.55	1.870	5.610	8.415	13464	16830	30294
ATG-1100-0900-110-C30	Damper Air Tight h x w L=110 F=C30	1100	900	110	0.990	31.20	1.980	5.940	8.910	14256	17820	32076
ATG-1100-0950-110-C30	Damper Air Tight h x w L=110 F=C30	1100	950	110	1.045	32.85	2.090	6.270	9.405	15048	18810	33858
ATG-1100-1000-110-C30	Damper Air Tight h x w L=110 F=C30	1100	1000	110	1.100	34.50	2.200	6.600	9.900	15840	19800	35640
ATG-1100-1050-110-C30	Damper Air Tight h x w L=110 F=C30	1100	1050	110	1.155	36.15	2.310	6.930	10.395	16632	20790	37422
ATG-1100-1100-110-C30	Damper Air Tight h x w L=110 F=C30	1100	1100	110	1.210	37.80	2.420	7.260	10.890	17424	21780	39204
ATG-1100-1150-110-C30	Damper Air Tight h x w L=110 F=C30	1100	1150	110	1.265	39.45	2.530	7.590	11.385	18216	22770	40986
ATG-1100-1200-110-C30	Damper Air Tight h x w L=110 F=C30	1100	1200	110	1.320	41.10	2.640	7.920	11.880	19008	23760	42768
ATG-1200-0200-110-C30	Damper Air Tight h x w L=110 F=C30	1200	200	110	0.240	8.70	0.480	1.440	2.160	3456	4320	7776
ATG-1200-0250-110-C30	Damper Air Tight h x w L=110 F=C30	1200	250	110	0.300	10.50	0.600	1.800	2.700	4320	5400	9720
ATG-1200-0300-110-C30	Damper Air Tight h x w L=110 F=C30	1200	300	110	0.360	12.30	0.720	2.160	3.240	5184	6480	11664
ATG-1200-0350-110-C30	Damper Air Tight h x w L=110 F=C30	1200	350	110	0.420	14.10	0.840	2.520	3.780	6048	7560	13608
ATG-1200-0400-110-C30	Damper Air Tight h x w L=110 F=C30	1200	400	110	0.480	15.90	0.960	2.880	4.320	6912	8640	15552
ATG-1200-0450-110-C30	Damper Air Tight h x w L=110 F=C30	1200	450	110	0.540	17.70	1.080	3.240	4.860	7776	9720	17496
ATG-1200-0500-110-C30	Damper Air Tight h x w L=110 F=C30	1200	500	110	0.600	19.50	1.200	3.600	5.400	8640	10800	19440
ATG-1200-0550-110-C30	Damper Air Tight h x w L=110 F=C30	1200	550	110	0.660	21.30	1.320	3.960	5.940	9504	11880	21384
ATG-1200-0600-110-C30	Damper Air Tight h x w L=110 F=C30	1200	600	110	0.720	23.10	1.440	4.320	6.480	10368	12960	23328
ATG-1200-0650-110-C30	Damper Air Tight h x w L=110 F=C30	1200	650	110	0.780	24.90	1.560	4.680	7.020	11232	14040	25272
ATG-1200-0700-110-C30	Damper Air Tight h x w L=110 F=C30	1200	700	110	0.840	26.70	1.680	5.040	7.560	12096	15120	27216
ATG-1200-0750-110-C30	Damper Air Tight h x w L=110 F=C30	1200	750	110	0.900	28.50	1.800	5.400	8.100	12960	16200	29160
ATG-1200-0800-110-C30	Damper Air Tight h x w L=110 F=C30	1200	800	110	0.960	30.30	1.920	5.760	8.640	13824	17280	31104
ATG-1200-0850-110-C30	Damper Air Tight h x w L=110 F=C30	1200	850	110	1.020	32.10	2.040	6.120	9.180	14688	18360	33048
ATG-1200-0900-110-C30	Damper Air Tight h x w L=110 F=C30	1200	900	110	1.080	33.90	2.160	6.480	9.720	15552	19440	34992
ATG-1200-0950-110-C30	Damper Air Tight h x w L=110 F=C30	1200	950	110	1.140	35.70	2.280	6.840	10.260	16416	20520	36936
ATG-1200-1000-110-C30	Damper Air Tight h x w L=110 F=C30	1200	1000	110	1.200	37.50	2.400	7.200	10.800	17280	21600	38880
ATG-1200-1050-110-C30	Damper Air Tight h x w L=110 F=C30	1200	1050	110	1.260	39.30	2.520	7.560	11.340	18144	22680	40824
ATG-1200-1100-110-C30	Damper Air Tight h x w L=110 F=C30	1200	1100	110	1.320	41.10	2.640	7.920	11.880	19008	23760	42768
ATG-1200-1150-110-C30	Damper Air Tight h x w L=110 F=C30	1200	1150	110	1.380	42.90	2.760	8.280	12.420	19872	24840	44712
ATG-1200-1200-110-C30	Damper Air Tight h x w L=110 F=C30	1200	1200	110	1.440	44.70	2.880	8.640	12.960	20736	25920	46656